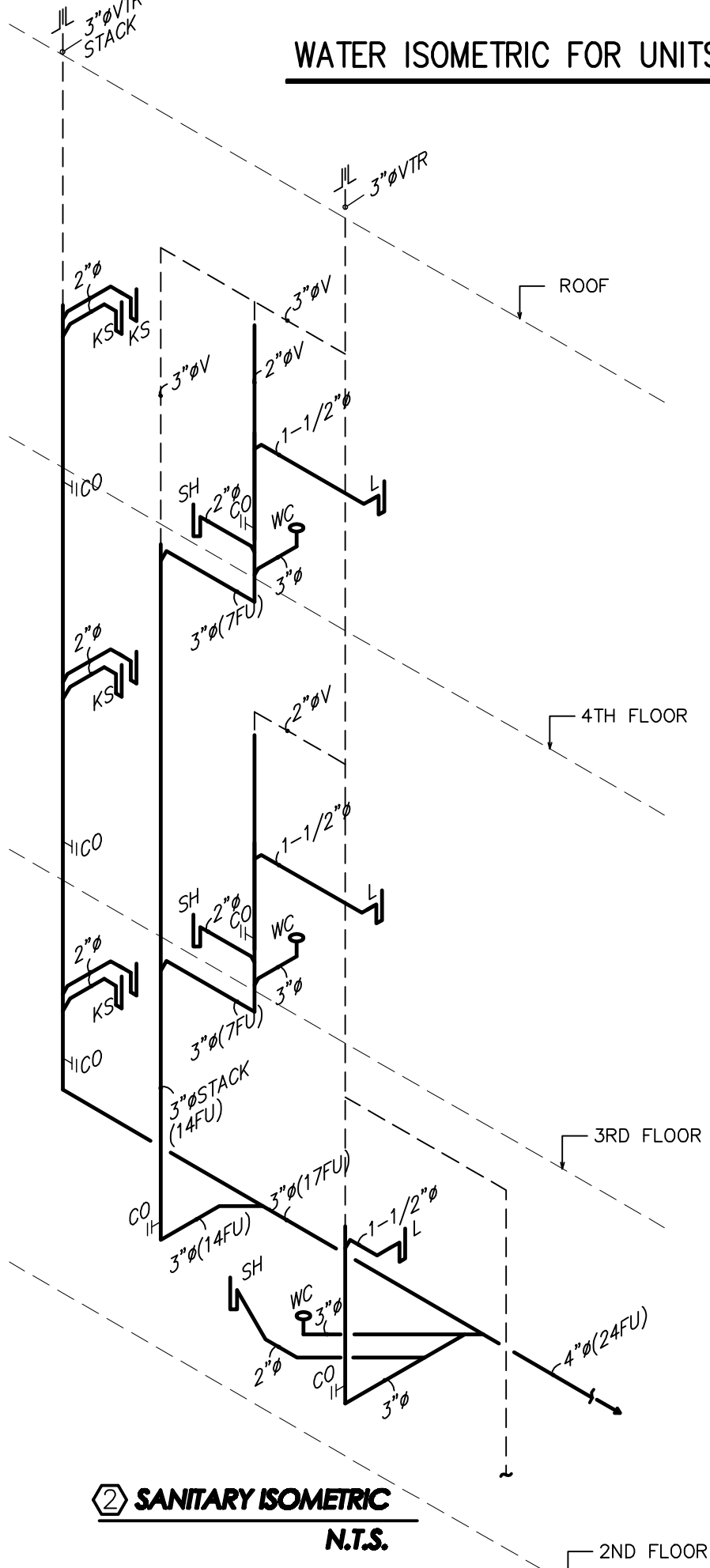
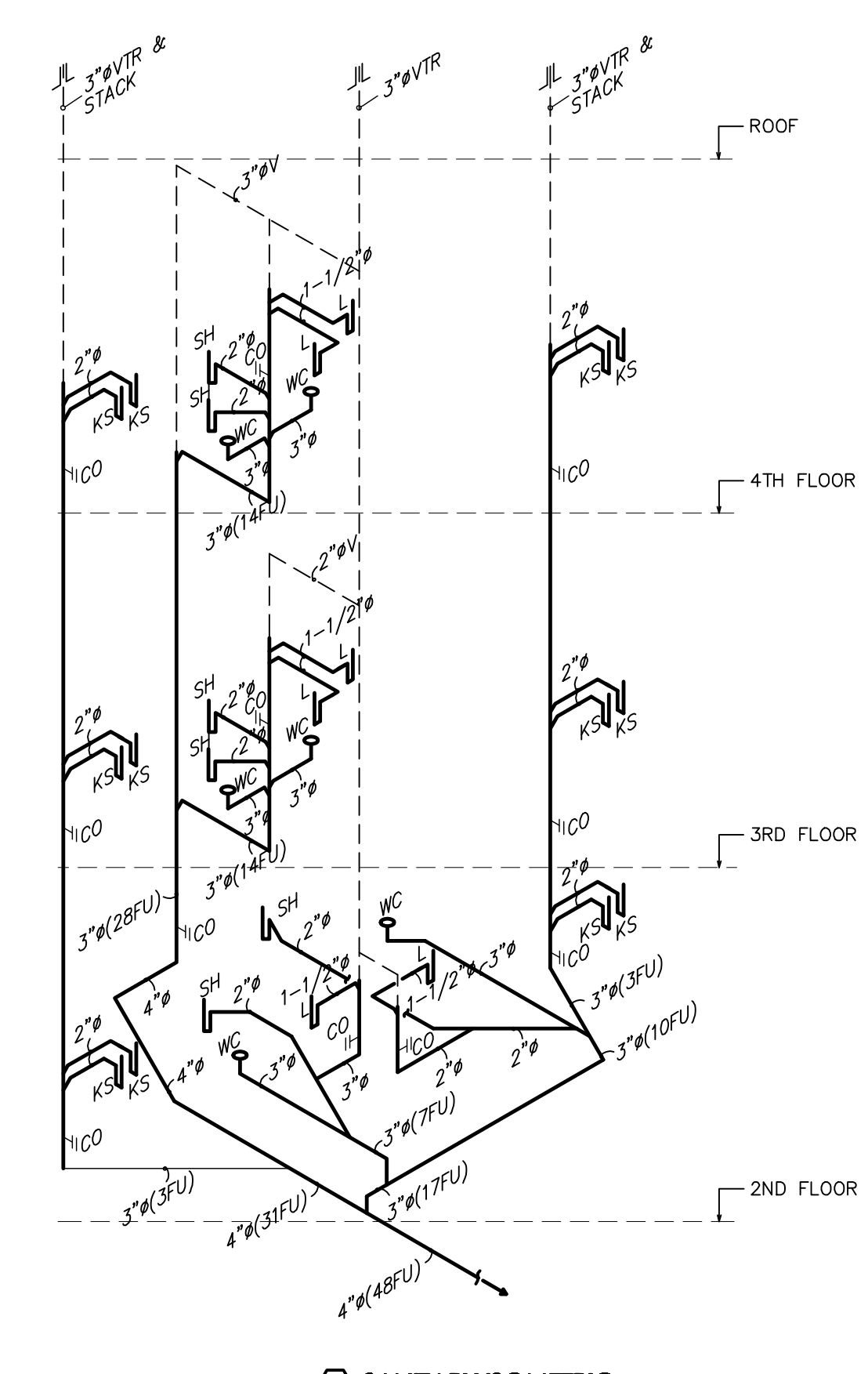
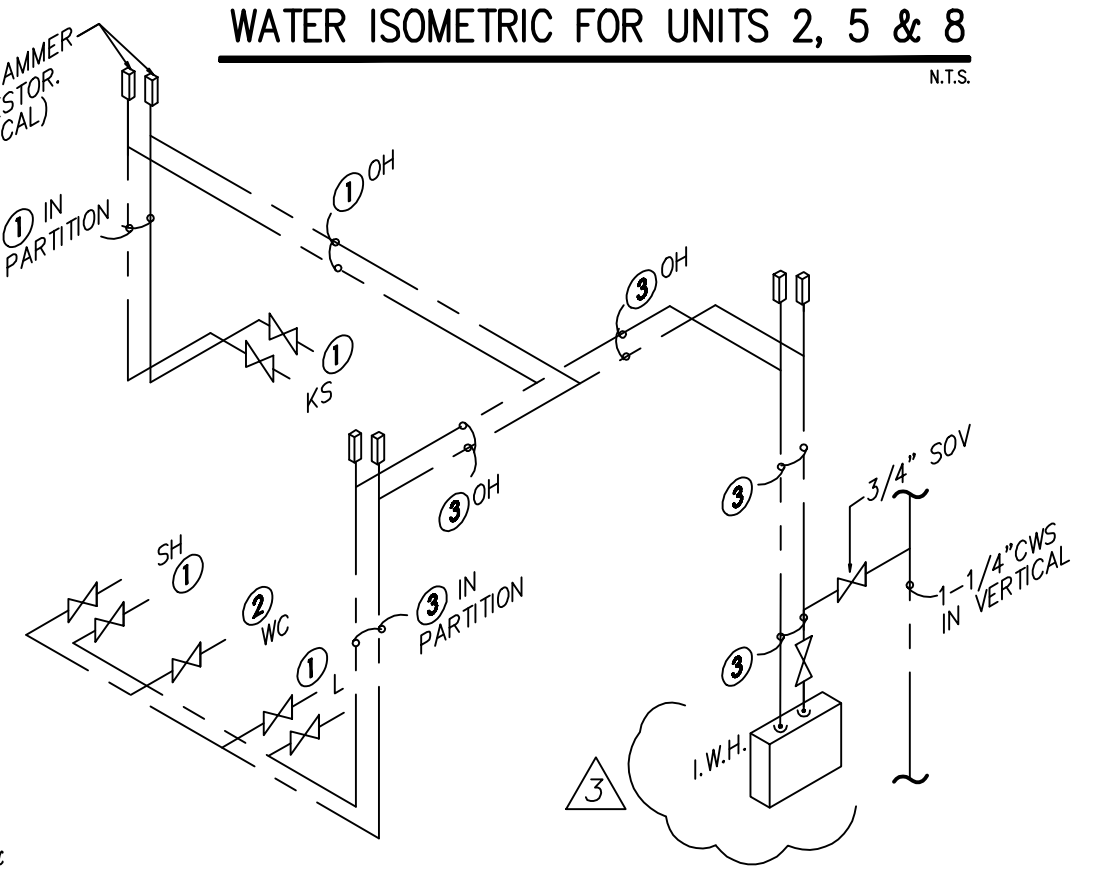
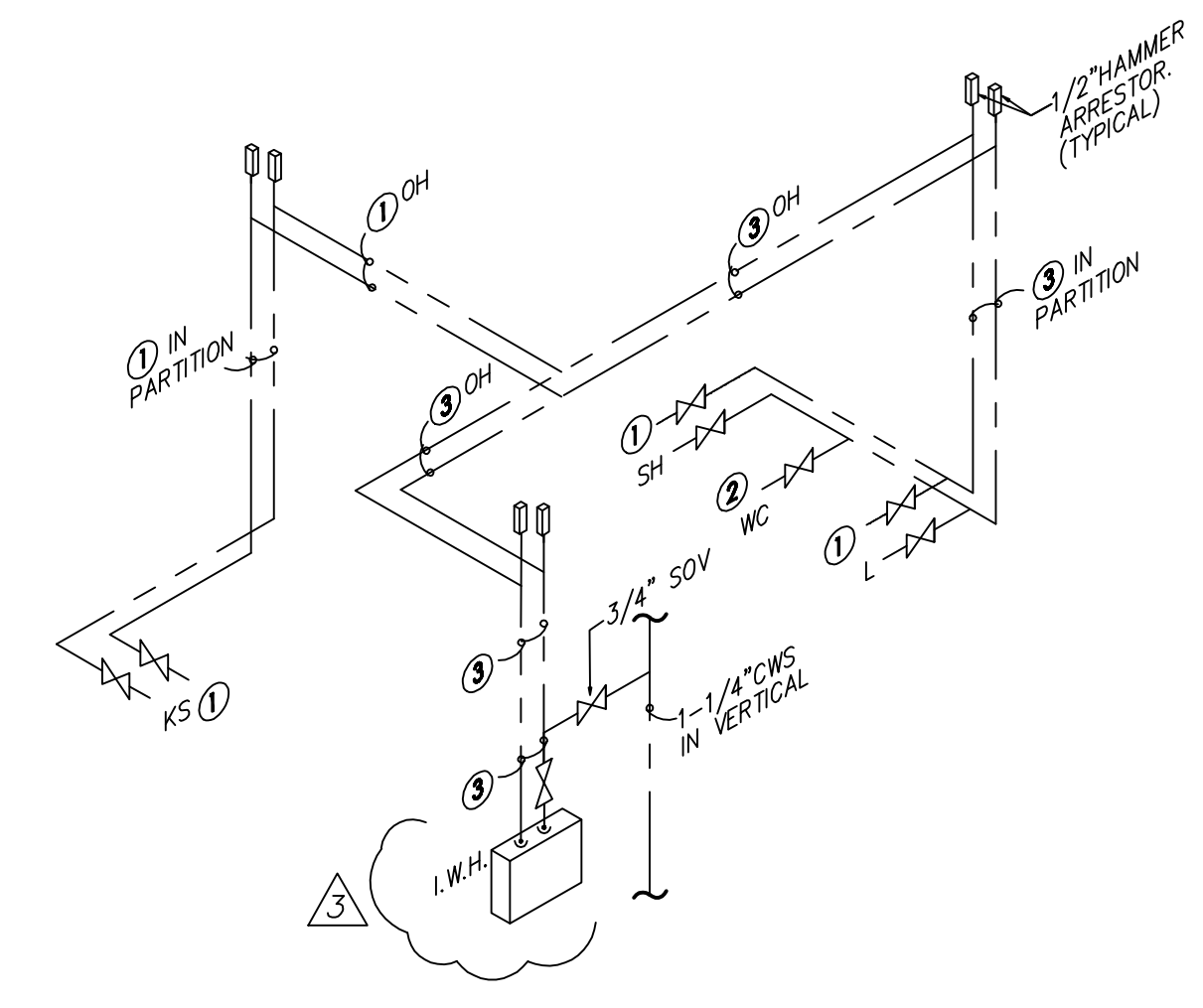
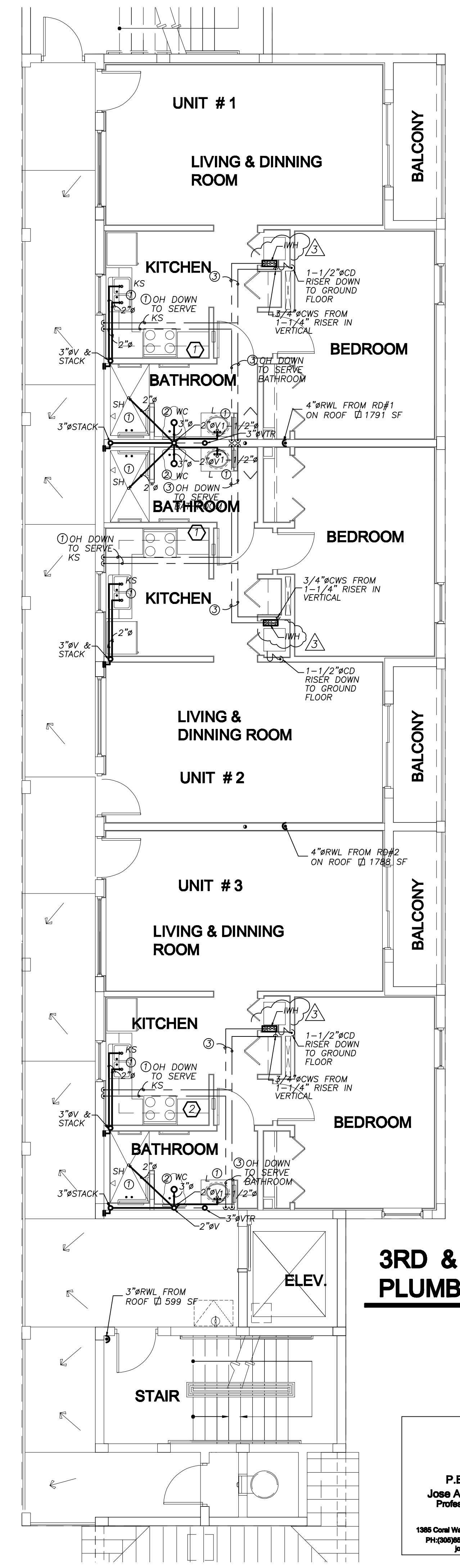
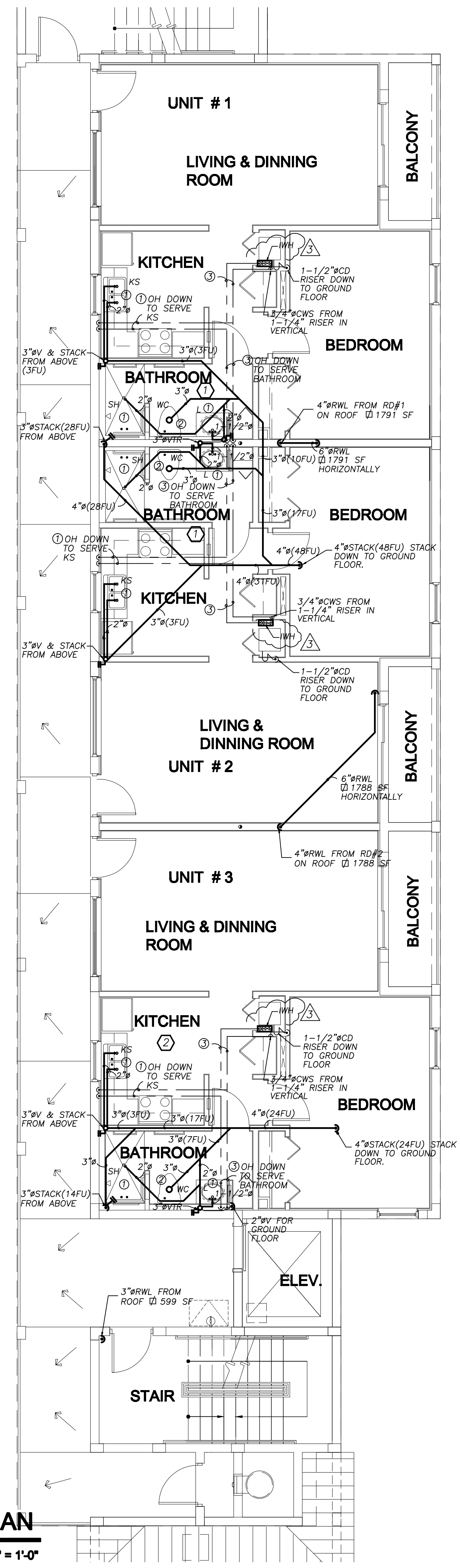


- WATER PIPING SIZE-2**
- ① 1/2" CW, 1/2" HW
  - ② 1/2" CWS
  - ③ 3/4" CW, 1/2" HW
  - ④ 3/4" CWS
  - ⑤ 1/2" CW/HW
  - ⑥ 1/2" CWS
  - ⑦ 3/4" CWS
  - ⑧ 1" CWS



**2ND FLOOR PLUMBING PLAN**  
SCALE: 3/16" = 1'-0"



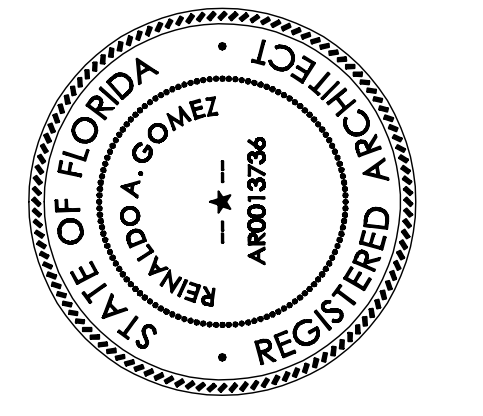
**3RD & 4TH FLOOR PLUMBING PLAN**  
SCALE: 3/16" = 1'-0"

PROFESSIONAL PLUMBING ELECTRICAL

**P.E. No 53288**  
**Jose Antonio Mendez**  
Professional Engineer

1385 Coral Way Suite 203 Miami, FL 33145  
PH: (305) 854-8824 FAX: (305) 858-1797  
jose11@ed.com CA 000834

City of Hialeah  
Construction and Maintenance  
900 East 56th Street Bldg. 1  
HIALEAH, FLORIDA 33013  
tel: (305) 687-2682  
fax: (305) 687-2642



**City Architect**  
**REINALDO A GOMEZ**  
LIC. AR0013736

**PROJECT No.**  
**1010**

**9 UNIT ELEDERY APARTMENT PROJECT**

PROJECT ADDRESS:  
45 WEST 6TH ST  
HIALEAH, FL

CONSULTANTS

No.	DATE	REVISION
1	6-16-11	B.D.C.
2	3-07-01-11	REVISION

DATE: 08-30-2010

SCALE: AS SHOWN

DRAWN BY:

CHECKED BY: R.G.

This drawing is property of the City of Hialeah and is not to be reproduced or copied in whole or part. It is not to be used on any other project and is to be returned upon request.

SHEET TITLE

SHEET NUMBER